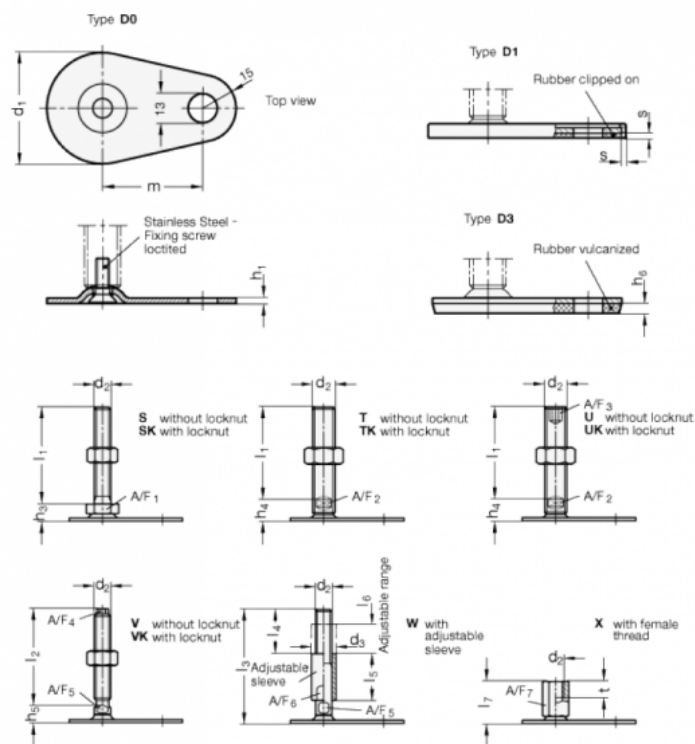


Data Sheet



Article number: 204380M1029D1X
 Description: E+G levelling foot
 GN 43-80-M10-29-D1-X
 Note: X With female thread, External hexagon

Measures



A/F7 = 14	t = 10
d1 = 80	
d2 = M10	
h1 = 2.5	
h6 =	
l7 = 29	
m = 70	
s = 2	